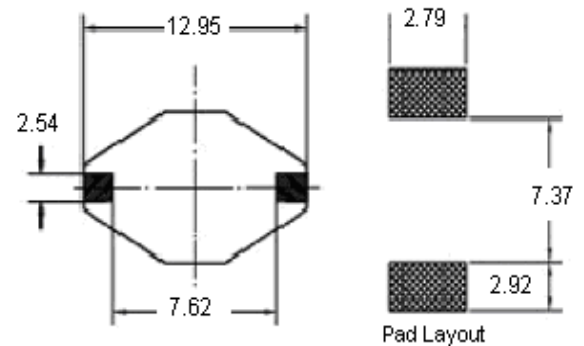
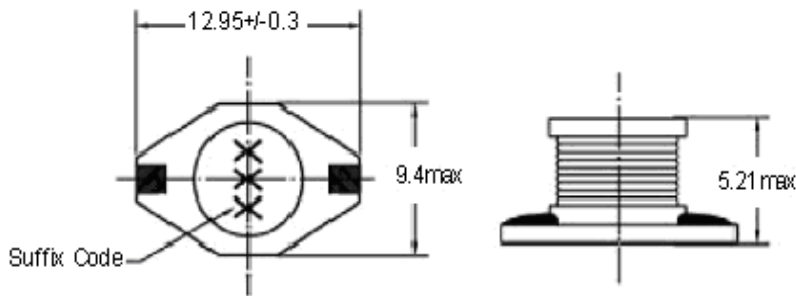


AM3316 SERIES

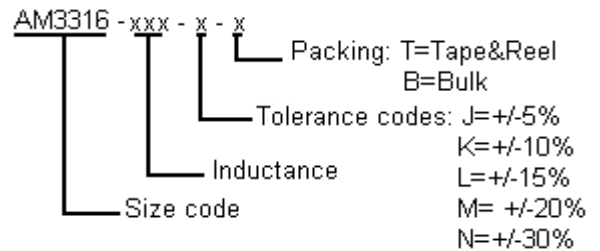
FEATURES

- Designed for low profile and high performance
- High energy storage and low resistance
- Ideal for DC-DC converter applications, such as pagers, notebook computers, PDA's, etc



Part No.	L (uhy)	DCR (mΩ)	I(sat)	Max Current
AM3316-1R0M	1.0	9.2	9.00	6.80
AM3316-1R5M	1.5	10.4	8.00	6.40
AM3316-2R2M	2.2	12	7.00	6.10
AM3316-3R3M	3.3	15	6.40	5.40
AM3316-4R7M	4.7	18	5.40	4.80
AM3316-6R8M	6.8	27	4.60	4.40
AM3316-100M	10.0	38	3.80	3.90
AM3316-150M	15.0	46	3.00	3.10
AM3316-220M	22.0	85	2.60	2.70
AM3316-330M	33.0	101	2.00	2.10
AM3316-470M	47.0	140	1.60	1.80
AM3316-560M	56.0	162	1.50	1.70
AM3316-680M	68.0	200	1.40	1.50
AM3316-101M	100.0	280	1.20	1.30
AM3316-151M	150.0	400	1.00	1.00
AM3316-221M	220.0	610	0.80	0.80
AM3316-331M	330.0	1020	0.60	0.60
AM3316-471M	470.0	1270	0.50	0.50
AM3316-681M	680.0	2020	0.40	0.40
AM3316-102M	1000.0	3000	0.30	0.30

Ordering Code



Notes:

- 1) Inductance measured at 100KHz. 0.1V
- 2) Isat: current at which inductance drops 10%
- 3) Temp rise at rated current: 40 deg C
- 4) Operating temp range: -40 to +85 deg C
- 5) Electrical specifications at 20 deg C